

Fig. 1, EVR 2 and 3 (NC)

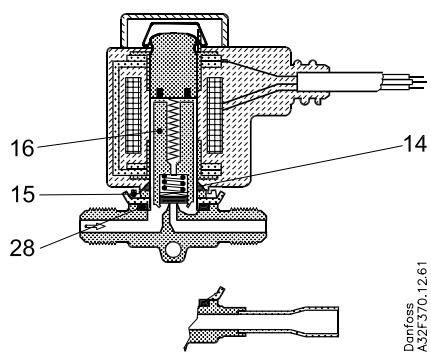
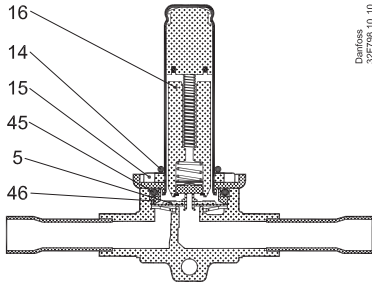


Fig. 2, EVR 2 and 3 (NC)

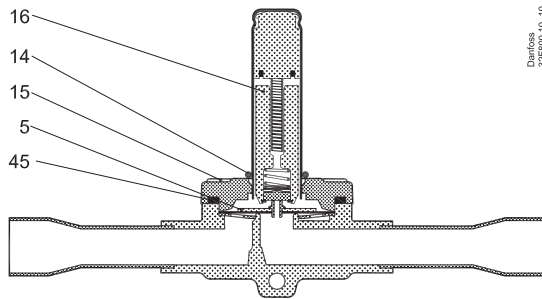
Description	Qty	Code no. Normally Closed (NC)
<b>EVR 2. d.c. armature</b> Pos. 16 d.c. armature assembly	1	<b>032F0099</b>
<b>EVR 2 and 3. Service kit (a.c.)</b> Pos. 14 O-ring	1	<b>032F0181</b>
15 Screw	4	
16 Armature assembly	1	
28 Rubber gasket	1	
<b>EVR 2 and 3. Seal kit</b> Pos. 28 Rubber gasket	1	<b>032F0171</b>

Description	Qty	Code no. Normally Closed (NC)
<b>EVR 6. Service kit (a.c.)</b>		
Pos. 5 Diaphragm assembly	1	<b>032F8166</b>
14 O-ring for armature tube	1	
15 Screw T20	4	
15 Screw T15	4	
16 Armature assembly	1	
45 Rubber gasket	1	
45 O-ring for steel cover	1	
46 Support ring	1	
<b>EVR 6. Seal kit</b>		
Pos. 14 O-ring for armature tube	1	<b>032F8165</b>
45 Rubber gasket	1	
45 O-ring	1	
<b>EVR 10. Service kit (a.c.)</b>		
Pos. 5 Diaphragm assembly	1	<b>032F0185</b>
14 O-ring	1	
15 Screw	4	
16 Armature assembly	1	
45 Rubber gasket	1	
<b>EVR 10. Seal kit</b>		
Pos. 14 O-ring	1	<b>032F0173</b>
45 Rubber gasket	1	



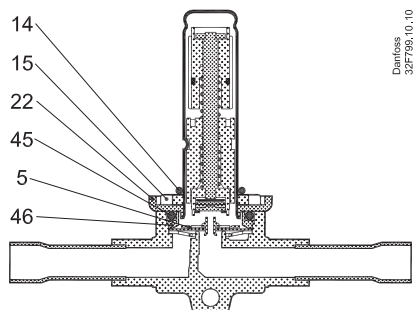
Danfoss  
32F800,10,10

Fig.1 EVR 6 (NC)



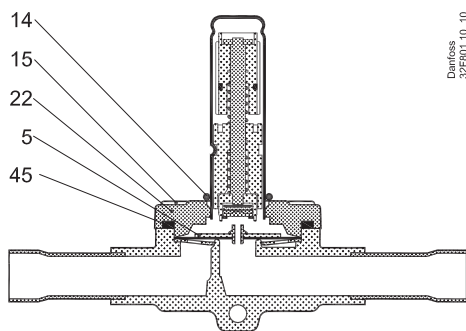
Danfoss  
32F800,10,10

Fig.2 EVR 10 (NC)



Danfoss  
32F793,10,10

Fig.1 EVR 6 and 8 (NO)



Danfoss  
32F801,10,10

Fig.1 EVR 10 (NO)

Description	Qty	Code no. Normally Open (NO)
<b>EVR 6 and 8. Service kit (a.c.) - (brass cover design)</b>		
Pos. 5 Diaphragm assembly	1	<b>032F0184</b>
14 O-ring	1	
15 Screw	4	
22 NO unit	1	
45 Rubber gasket	1	
<b>EVR 6 and 8. Seal kit</b>		
<b>032F8165</b>		
Pos. 14 O-ring for armature tube	1	<b>032F8165</b>
45 Rubber gasket	1	
45 O-ring	1	
<b>EVR 6 and 8. Service kit (a.c.) - (steel cover design)</b>		
<b>032F8167</b>		
Pos. 5 Diaphragm assembly	1	<b>032F8167</b>
14 O-ring	1	
15 Screw	4	
22 NO unit (steel cover)	1	
45 O-ring	1	
46 Support ring	1	
<b>EVR 10. Service kit (a.c.)</b>		
<b>032F0186</b>		
Pos. 5 Diaphragm assembly	1	<b>032F0186</b>
14 O-ring	1	
15 Screw	4	
22 NO unit	1	
45 Rubber gasket	1	
<b>EVR 10. Seal kit</b>		
<b>032F0173</b>		
Pos. 14 O-ring	1	<b>032F0173</b>
45 Rubber gasket	1	

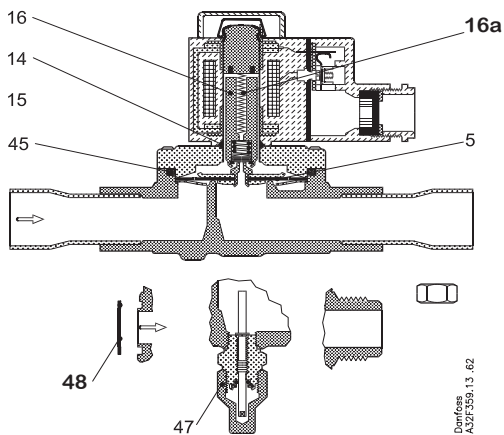


Fig.1 EVR 15 and 20 (NC)

Description	Qty	Code no. Normally Closed (NC)
<b>EVR 15 and 18. Service kit (a.c.)</b>		
Pos. 5 Diaphragm assembly	1	<b>032F0187</b>
14 O-ring	1	
15 Screw	4	
16 Armature assembly	1	
45 Rubber gasket	1	
48 Flange gasket	2	
	1	
<b>EVR 15 and 18. Seal kit</b>		
Pos. 14 O-ring	1	<b>032F0174</b>
45 Rubber gasket	1	
48 Flange gasket	1	
<b>EVR 15 and 18. d.c. armature</b>		
Pos. 16 d.c. armature assembly	1	<b>032F0099</b>
16a Compression spring	1	
<b>EVR 20 and 22. Service kit (a.c.)</b>		
Pos. 5 Diaphragm assembly	1	<b>032F0189</b>
14 O-ring	1	
15 Screw	4	
16 Armature assembly	1	
16a Compression spring	1	
45 Rubber gasket	1	
<b>EVR 20 and 22. Service kit (d.c.)</b>		
Pos. 5 Diaphragm assembly	1	<b>032F0191</b>
14 O-ring	1	
15 Screw	4	
16 Armature assembly	1	
16a Compression spring	1	
45 Rubber gasket	1	
<b>EVR 20 and 22. Seal kit</b>		
Pos. 14 O-ring	1	<b>032F0175</b>
45 Rubber gasket	1	
<b>EVR 20 and 22. d.c. armature</b>		
Pos. 16 d.c. armature assembly	1	<b>032F0099</b>
<b>EVR 20 and 22. Manual spindle</b>		
Pos. 47 Spindle assembly	1	<b>032F0193</b>

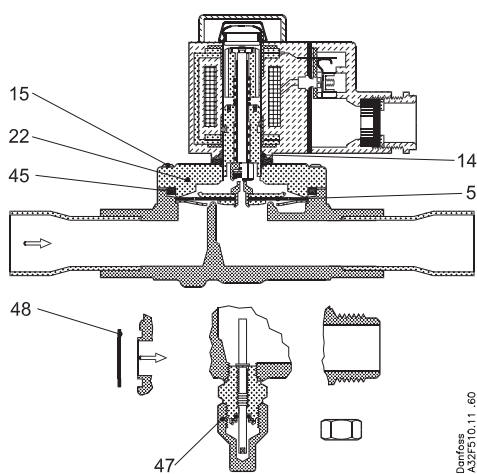


Fig.1 EVR 15 and 20 (NO)

Description	Qty	Code no. Normally Open (NO)
<b>EVR 15 and 18. Service kit (a.c.)</b>		
Pos. 5 Diaphragm assembly	1	<b>032F0188</b>
14 O-ring	1	
15 Screw	4	
22 NO unit	1	
45 Rubber gasket	1	
48 Flange gasket	1	
<b>EVR 15 and 18. Seal kit</b>		
Pos. 14 O-ring	1	<b>032F0174</b>
45 Rubber gasket	1	
48 Flange gasket	1	
<b>EVR 20 and 22. Service kit (a.c.)</b>		
Pos. 5 Diaphragm assembly	1	<b>032F0182</b>
14 O-ring	1	
15 Screw	4	
22 NO unit	1	
45 Rubber gasket	1	
48 Flange gasket	2	
<b>EVR 20 and 22. Seal kit</b>		
Pos. 14 O-ring	1	<b>032F0175</b>
45 Rubber gasket	1	
<b>EVR 20. Manual spindle</b>		
Pos. 47 Spindle assembly	1	<b>032F0193</b>

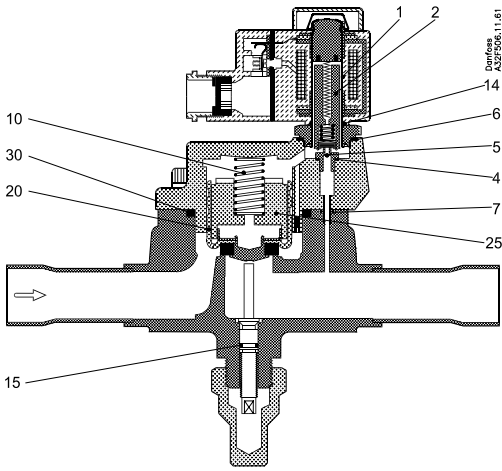


Fig.1 EVR 25 (NC) with stainless steel piston, previous design

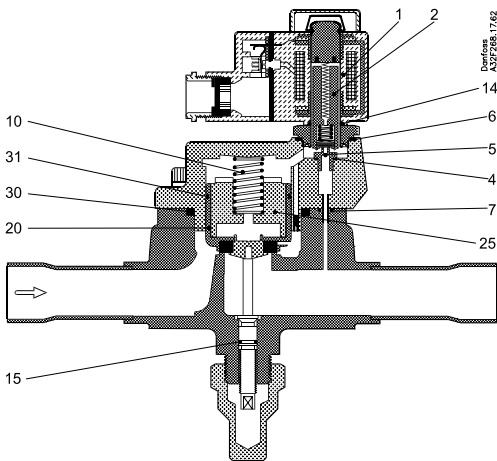


Fig.1 EVR 25 (NC) with cast iron piston and piston ring

Description	Qty	Code no. Normally Closed (NC)
<b>EVR 25 Piston service kit</b>		
Pos. 7 O-ring	1	<b>032F3236</b>
10 Spring	1	
14 O-ring	1	
20 Piston assembly	1	
25 Plastic block	1	
30 Rubber gasket	1	
31 Piston ring	1	
<b>EVR 25 Pilot service kit</b>		
Pos. 1 Armature tube assembly	1	<b>042H0161</b>
2 Armature	1	
4 Al. gasket	1	
5 Orifice	1	
6 Al. gasket	1	
14 O-ring	1	
<b>EVR 25 Seal kit</b>		
Pos. 4 Al. gasket	1	<b>032F3235</b>
6 Al. gasket	1	
7 O-ring	1	
8 Gasket	2	
14 O-ring	1	
15 O-ring	1	
30 Rubber gasket	1	

Note.  
All code nos. are valid for EVR 25 with stainless steel piston as well as for EVR 25 with cast iron piston

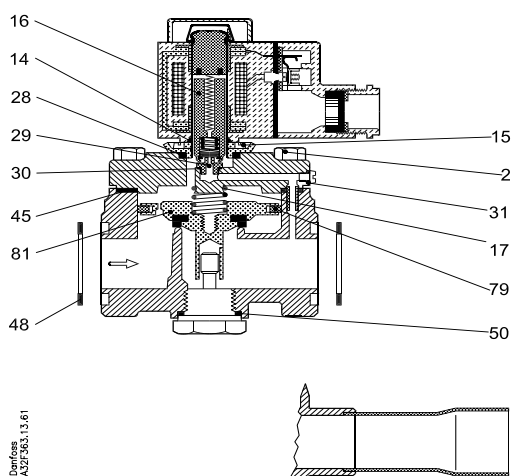


Fig.1 EVR 25 (NC), previous design

Description	Qty	Code no. Normally Closed (NC)
<b>EVR 25, first version</b>		
<b>Service kit</b>		
Pos. 2 Screw	4	<b>032F0190</b>
14 O-ring	1	
15 Screw	4	
16 Armature assembly, teflon	1	
17 Spring	1	
28 Rubber gasket	1	
29 Orifice	1	
30 Al. gasket	1	
31 Gasket	1	
45 Gasket	1	
48 Flange gasket	2	
50 Gasket	1	
79 Piston ring	1	
81 Piston assembly	1	
<b>EVR 25, first version</b>		
<b>Seal kit</b>		
Pos. 14 O-ring	1	<b>032F0176</b>
28 Rubber gasket	1	
30 Al. gasket	1	
31 Gasket	1	
45 Gasket	1	
48 Flange gasket	2	
50 Gasket	1	
<b>EVR 25. d.c. armature</b>		
Pos. 16 d.c. armature assembly	1	<b>032F0099</b>

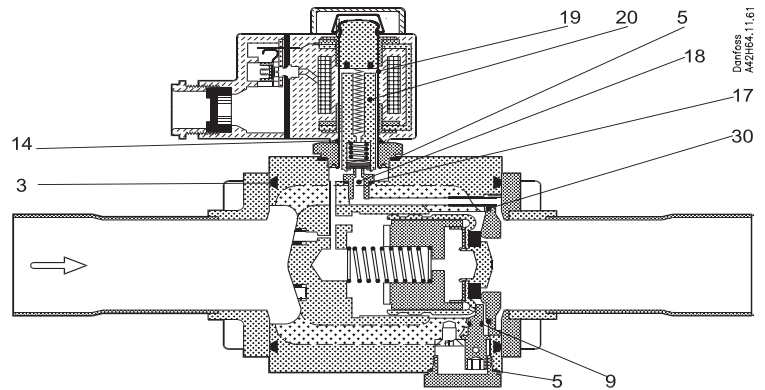


Fig 1. EVR 32 (NC) with stainless steel piston assembly, previous design

Description	Qty	Code no. Normally Closed (NC)
<b>EVR 32, previous design</b>		
<b>Pilot service kit</b>		
Pos. 5 Al. gasket	1	<b>042H0165</b>
14 O-ring	1	
17 Al. gasket	1	
18 Orifice	1	
19 Armature tube assembly	1	
20 Armature	1	
<b>EVR 32, previous design</b>		
<b>Seal kit</b>		
Pos. 3 O-ring	2	<b>042H0160</b>
5 Al. gasket	2	
9 O-ring	1	
14 O-ring	1	
17 Al. gasket	1	
30 O-ring	1	
30 Gasket	1	



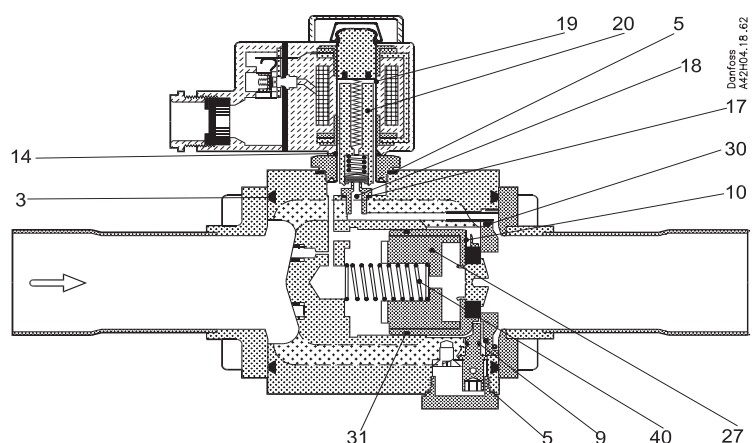


Fig 1. EVR 32 (NC) with cast iron piston and piston ring

Description	Qty	Code no. Normally Closed (NC)
<b>EVR 32</b>		
<b>Piston service kit</b>		<b>042H0172</b>
Pos. 3 O-ring	2	
5 Al. gasket	1	
9 O-ring	1	
10 Piston assembly, cast iron	1	
14 O-ring	1	
27 Plastic block	1	
30 O-ring	1	
30 Gasket	1	
31 Piston ring	1	
40 Spring	1	
<b>EVR 32</b>		
<b>Pilot service kit</b>		<b>042H0165</b>
Pos. 5 Al. gasket	1	
14 O-ring	1	
17 Al. gasket	1	
18 Orifice	1	
19 Armature tube assembly	1	
20 Armature	1	
<b>EVR 32</b>		
<b>Seal kit</b>		<b>042H0160</b>
Pos. 3 O-ring	2	
5 Al. gasket	2	
9 O-ring	1	
14 O-ring	1	
17 Al. gasket	1	
30 O-ring	1	
30 Gasket	1	

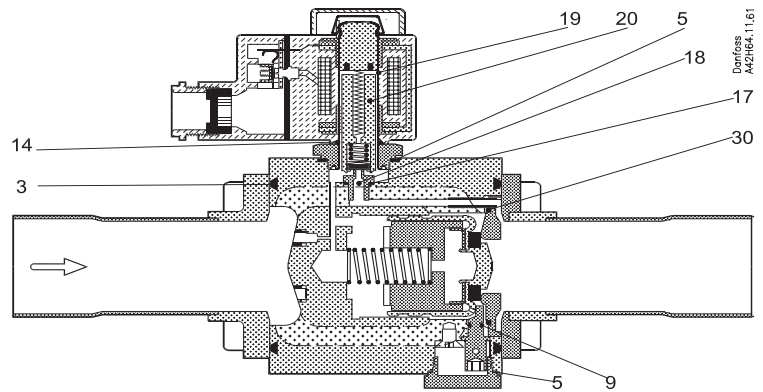


Fig 1. EVR 40 (NC) with stainless steel piston, previous design

Description	Qty	Code no. Normally Closed (NC)
<b>EVR 40, previous design</b>		
<b>Pilot service kit</b>		
Pos. 5 Al. gasket	1	<b>042H0166</b>
14 O-ring	1	
17 Al. gasket	1	
18 Orifice	1	
19 Armature tube assembly	1	
20 Armature	1	
<b>EVR 40</b>		
<b>Seal kit</b>		
Pos. 3 O-ring	2	<b>042H0160</b>
5 Al. gasket	2	
9 O-ring	1	
14 O-ring	1	
17 Al. gasket	1	
30 O-ring	1	
30 Gasket	1	

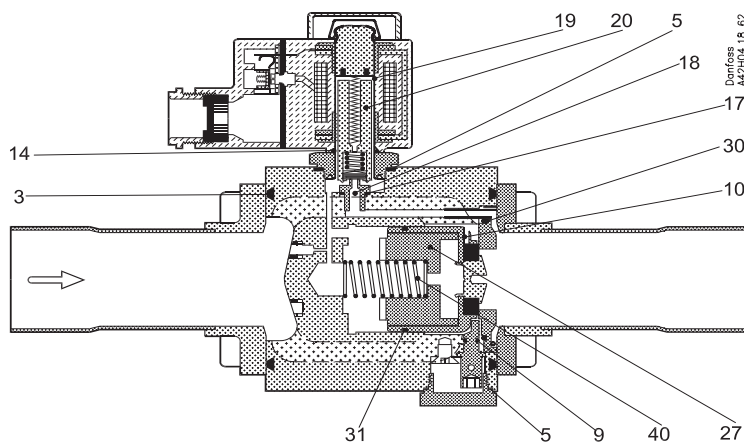


Fig 1. EVR 40 (NC) with cast iron piston and piston ring

Description	Qty	Code no. Normally Closed (NC)
<b>EVR 40</b>		
<b>Piston service kit</b>		
Pos. 3 O-ring	2	<b>042H0173</b>
5 Al. gasket	1	
9 O-ring	1	
10 Piston assembly, cast iron	1	
14 O-ring	1	
27 Plastic block	1	
30 O-ring	1	
30 Gasket	1	
31 Piston ring	1	
40 Spring	1	
<b>EVR 40</b>		
<b>Pilot service kit</b>		
Pos. 5 Al. gasket	1	<b>042H0166</b>
14 O-ring	1	
17 Al. gasket	1	
18 Orifice	1	
19 Armature tube assembly	1	
20 Armature	1	
<b>EVR 40</b>		
<b>Seal kit</b>		
Pos. 3 O-ring	2	<b>042H0160</b>
5 Al. gasket	2	
9 O-ring	1	
14 O-ring	1	
17 Al. gasket	1	
30 O-ring	1	
30 Gasket	1	

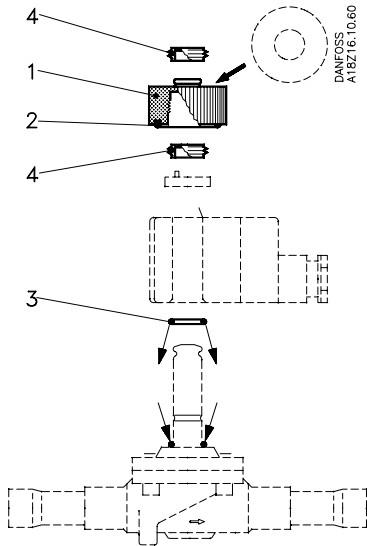
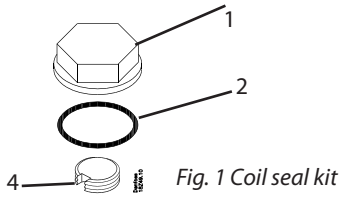


Fig. 2 EVR (railways)

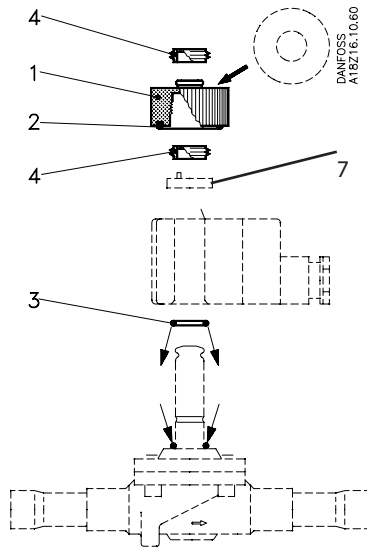
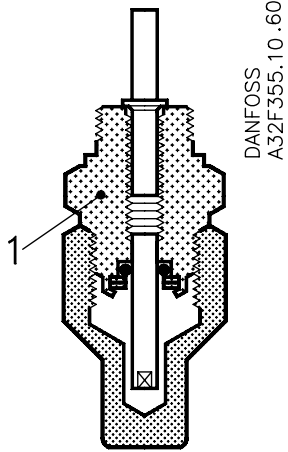


Fig. 3 EVR 6 - 20 (NO) and EVSI

Description	Qty	Code no.
<b>Coil seal kit</b> for EVR, EVH, EVSR/T EVSR, EVM EVRB		<b>018Z0120</b>
Pos. 1 Top nut	1	
2 O-ring	1	
4 Snap fastener	1	
<b>Coil seal kit</b> for <b>EVR (railways)</b>		<b>018Z0095</b>
Fig. 2		
Pos. 1 Top nut	1	
2 O-ring	1	
3 O-ring	1	
4 Snap fastener	1	
5 Screw	1	
6 Al. gasket	1	
<b>Coil seal kit</b> for <b>EVR 6 - 20 (NO)</b>		<b>018Z0091</b>
Fig. 3		
Pos. 1 Top nut	1	
2 O-ring	1	
3 O-ring	1	
4 Snap fastener	2	
7 Spacer	1	
<b>Coil seal kit</b> Pos. 3 O-ring	10	<b>018F0094</b>



Description	Qty	Code no.
<b>Manual spindle assembly for EVR 20</b> Pos. 1 Assembly	1	032F0193